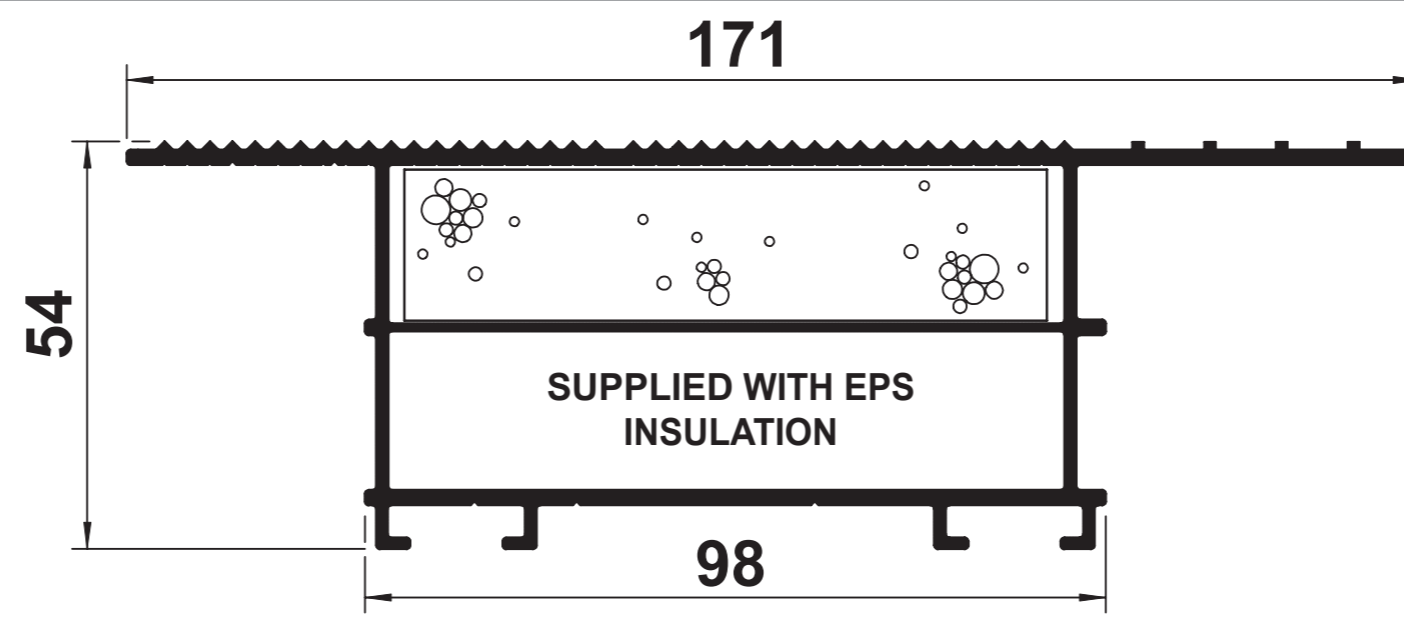
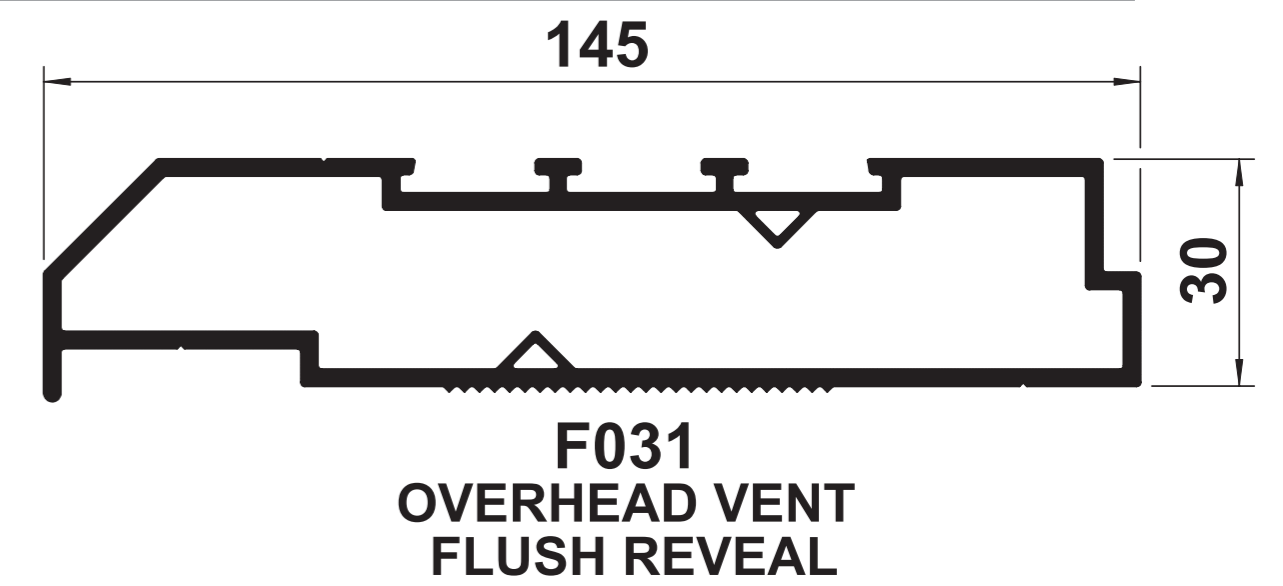


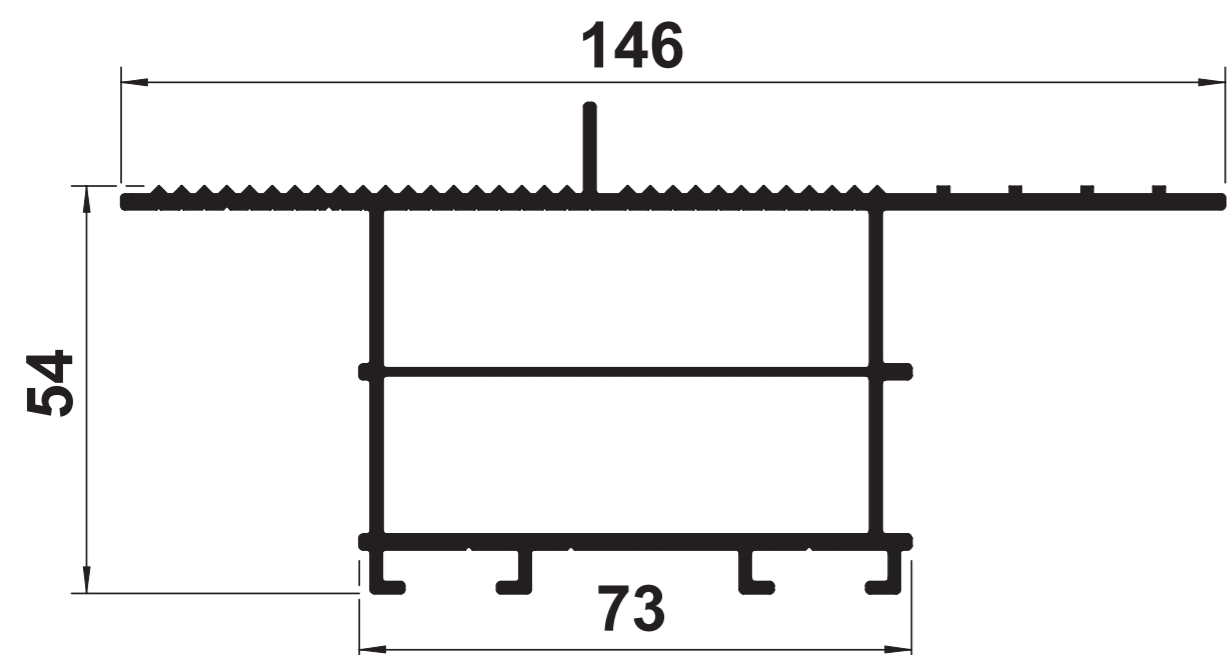
F751F
75mm FLUSH REVEAL CAVITY CLOSER
(Part No. Without EPS = F751)



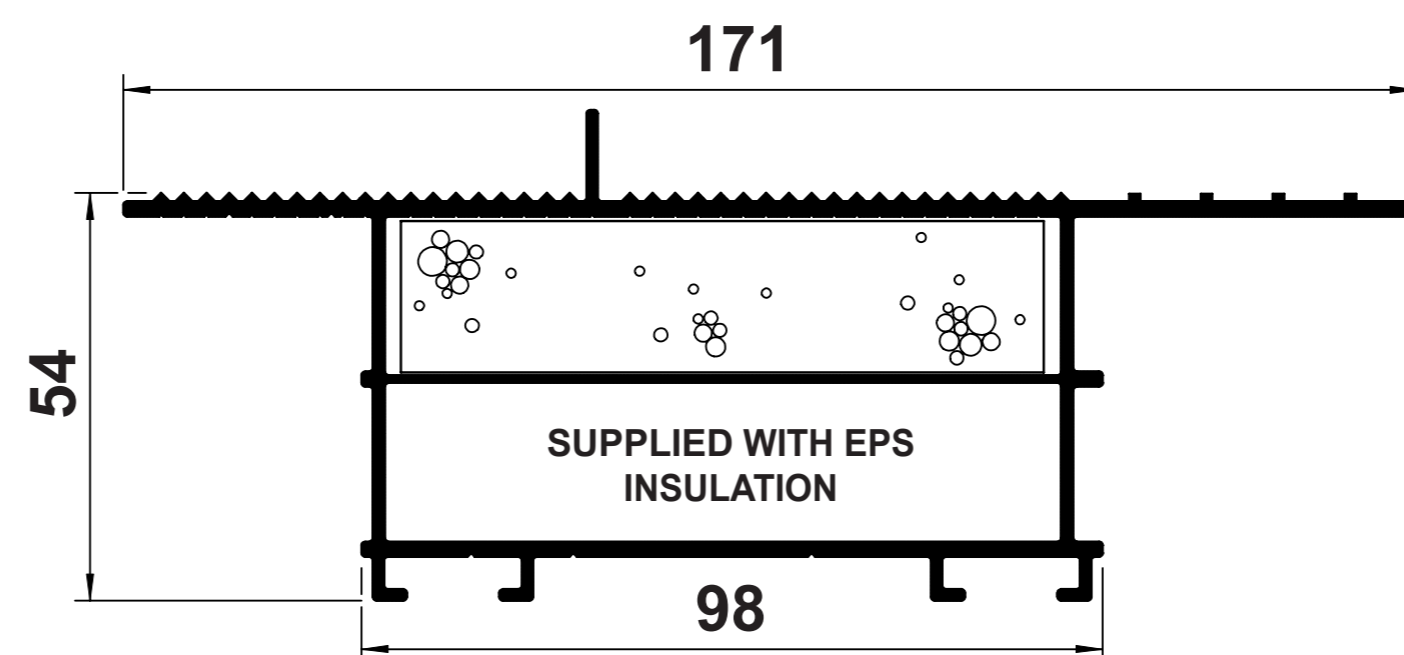
F101F
100mm FLUSH REVEAL CAVITY CLOSER
(Part No. Without EPS = F101)



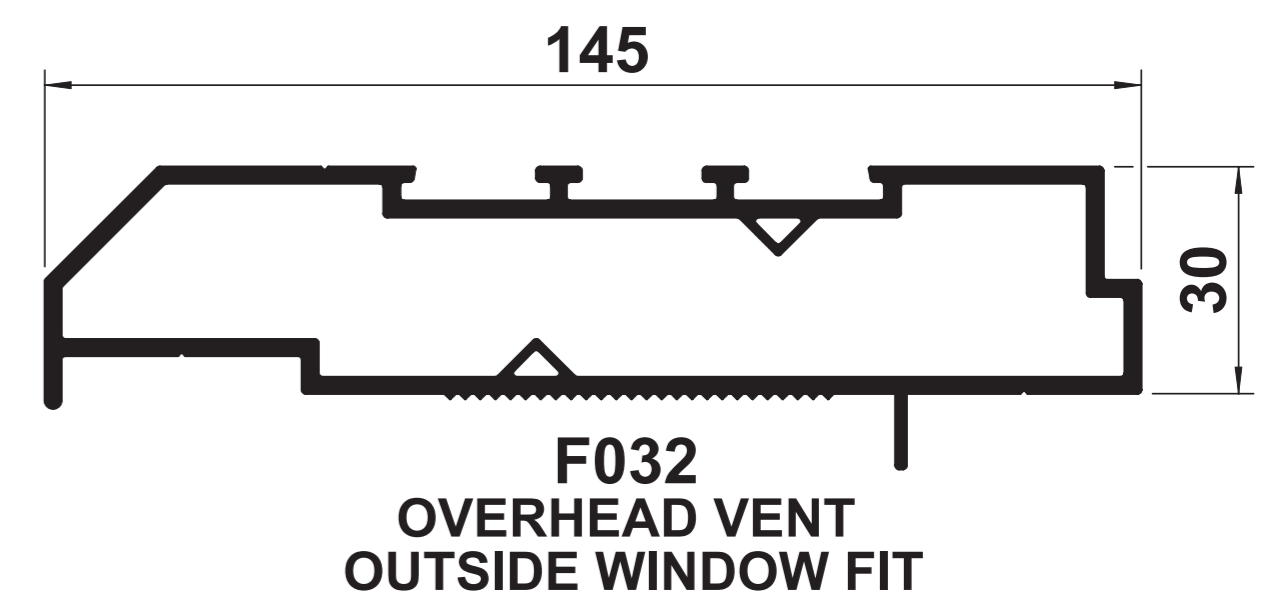
F031
OVERHEAD VENT
FLUSH REVEAL



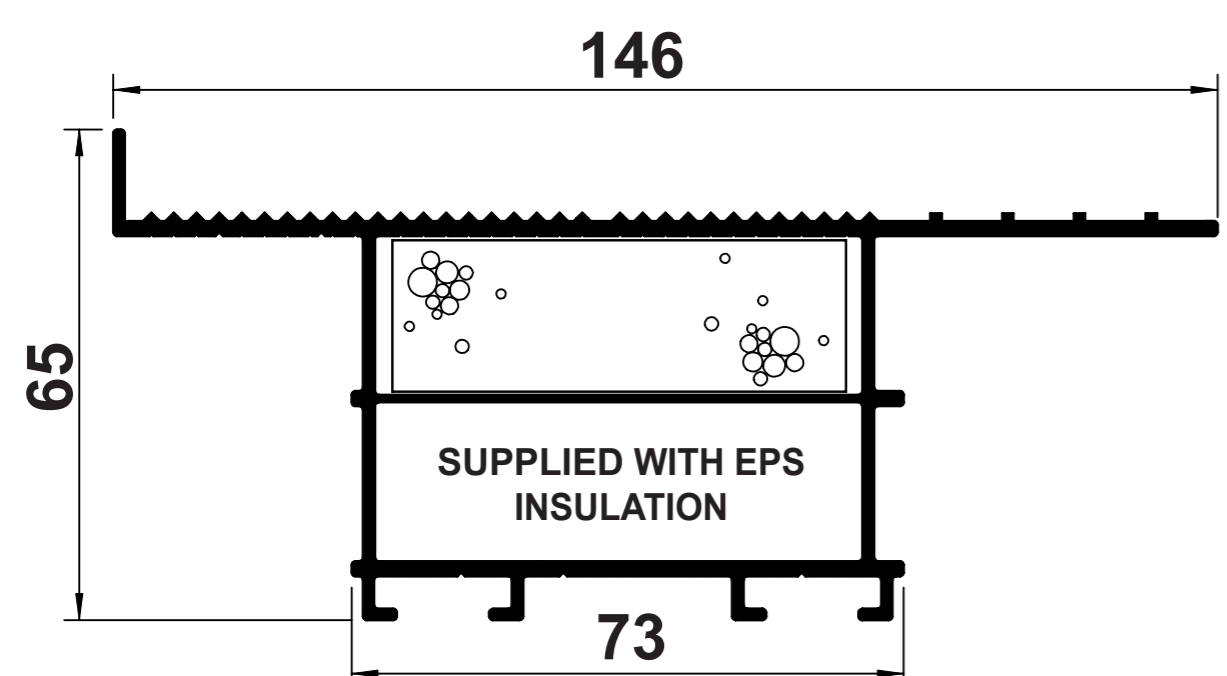
F752
75mm OUTSIDE WINDOW FIT CAVITY CLOSER



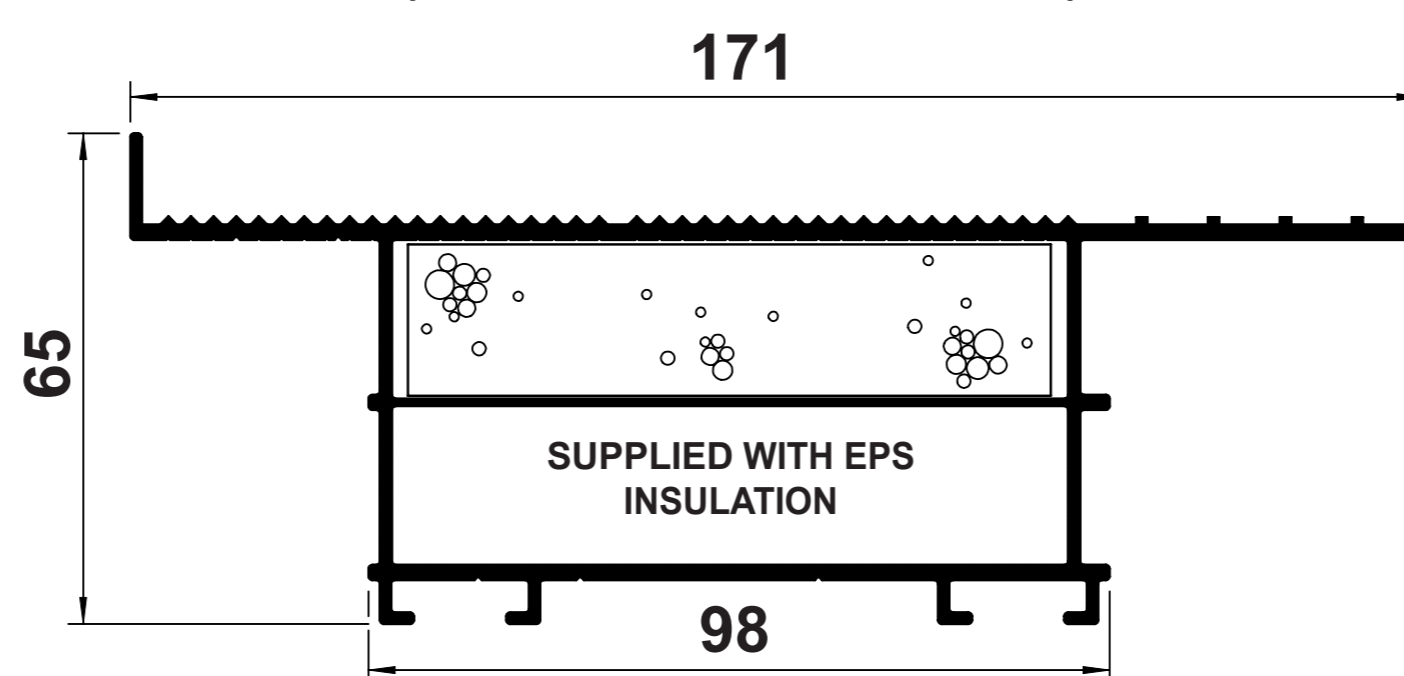
F102F
100mm OUTSIDE WINDOW FIT CAVITY CLOSER
(Part No. Without EPS = F102)



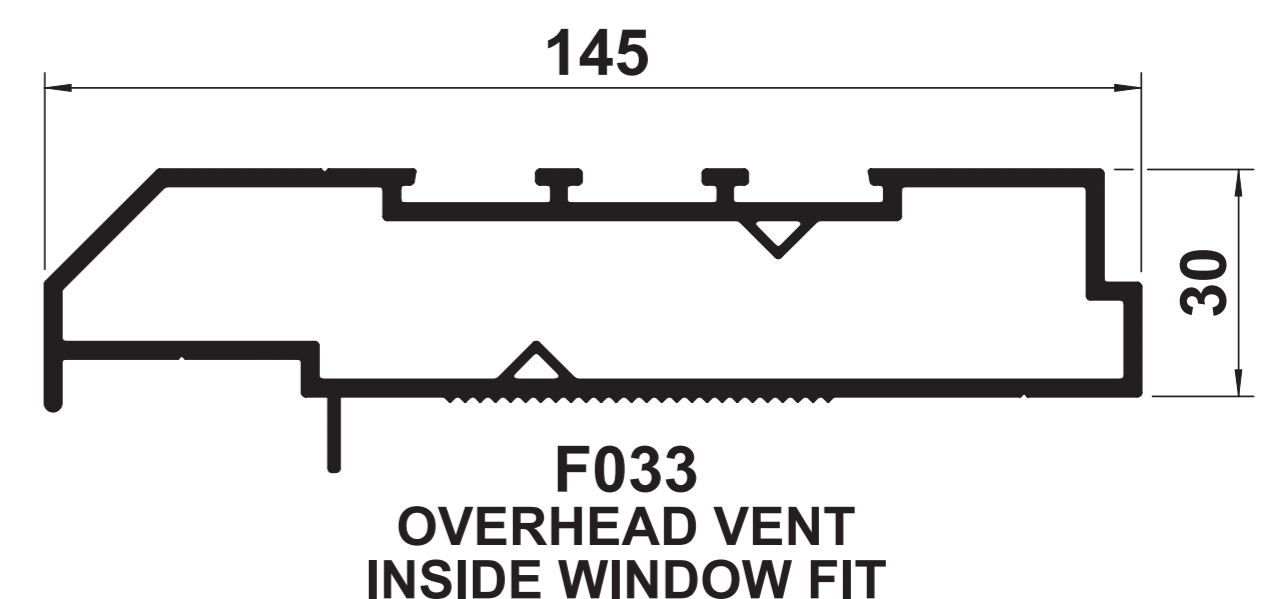
F032
OVERHEAD VENT
OUTSIDE WINDOW FIT



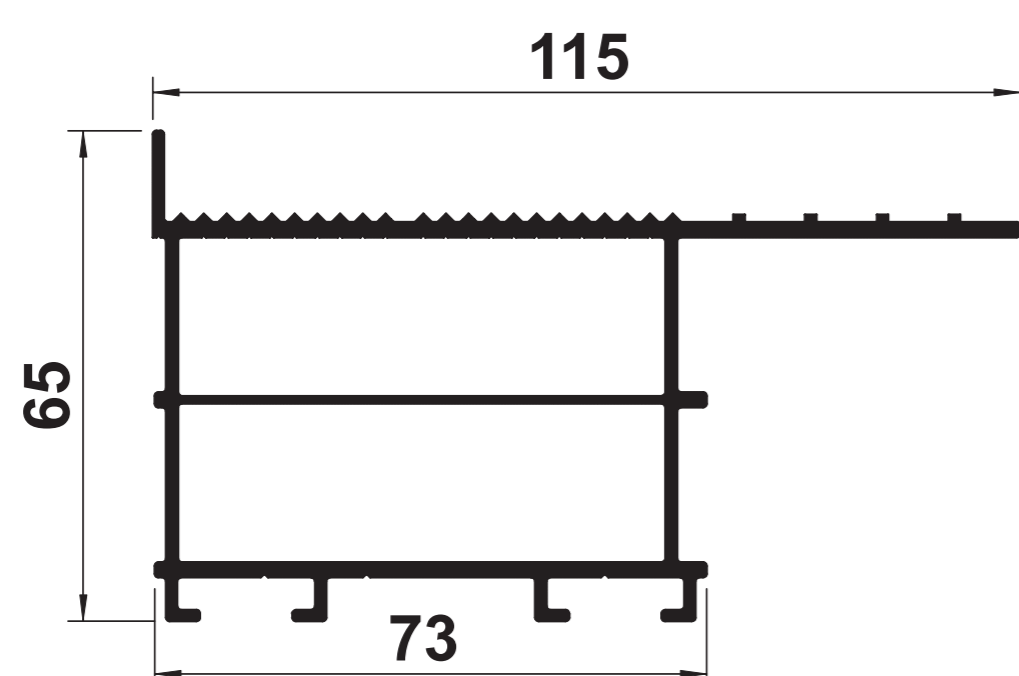
F753F
75mm INSIDE WINDOW FIT CAVITY CLOSER
(Part No. Without EPS = F753)



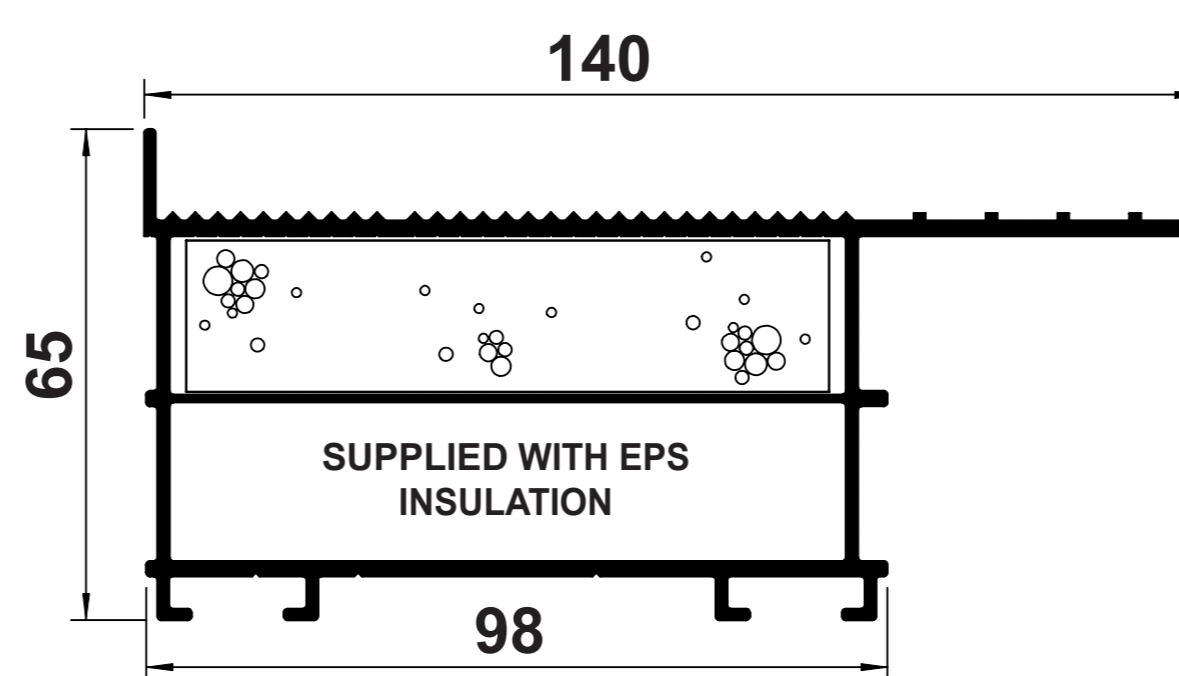
F103F
100mm INSIDE WINDOW FIT CAVITY CLOSER
(Part No. Without EPS = F103)



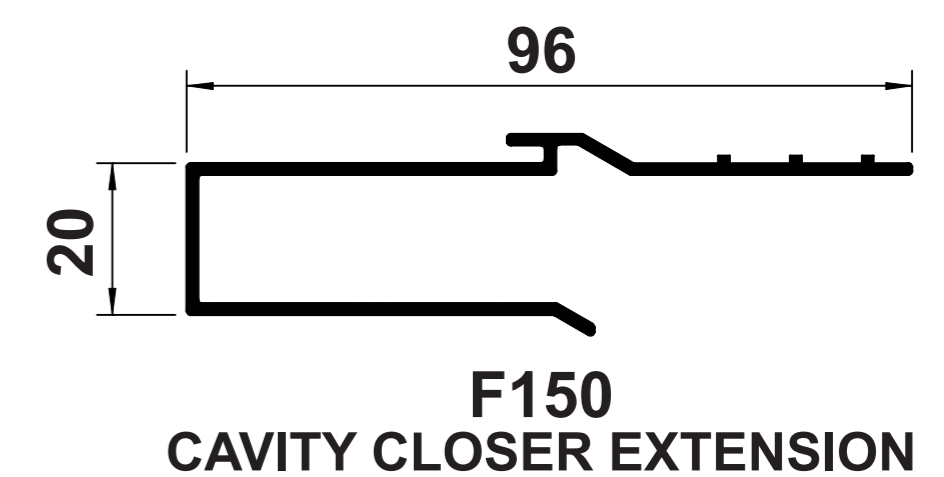
F033
OVERHEAD VENT
INSIDE WINDOW FIT



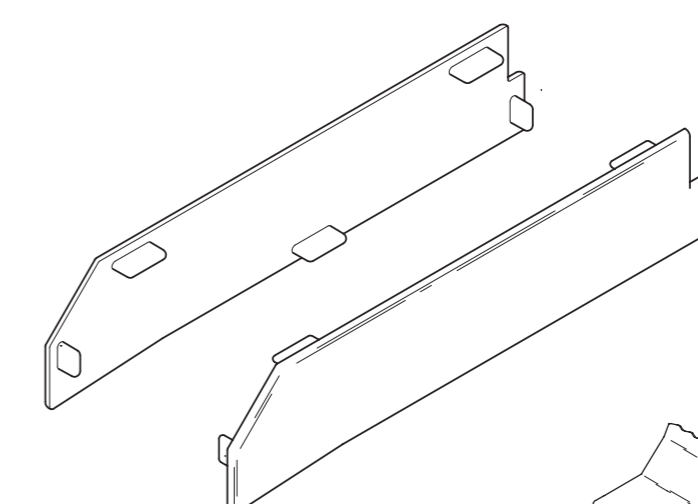
F754
75mm CHECK REVEAL CAVITY CLOSER



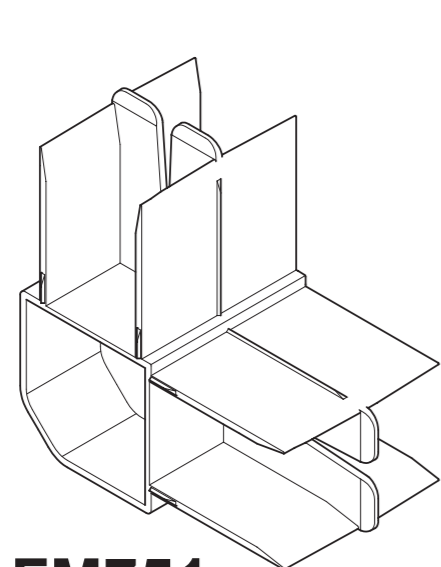
F104F
100mm CHECK REVEAL CAVITY CLOSER
(Part No. Without EPS = F104)



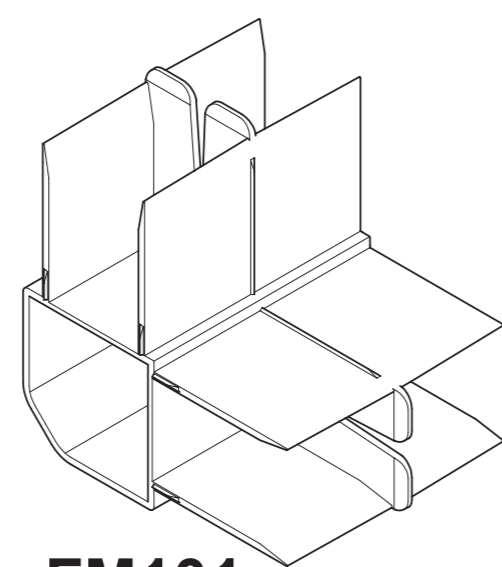
F150
CAVITY CLOSER EXTENSION



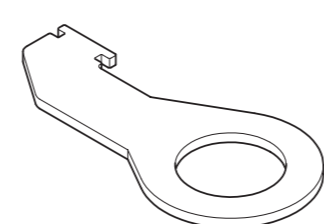
FM031
OVERHEAD VENT
END CAPS



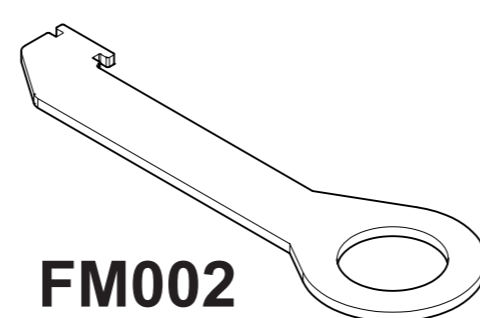
FM751
75mm MECHANICAL
CORNER JOINT BLOCK



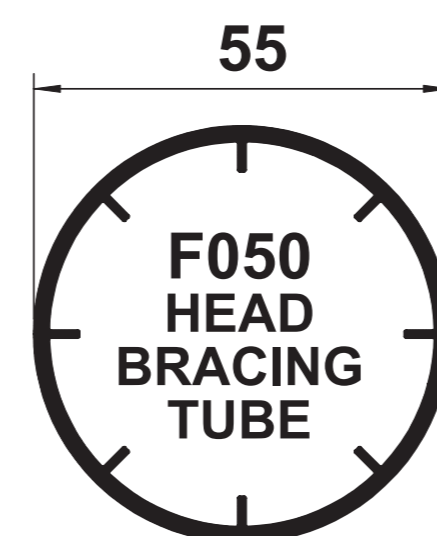
FM101
100mm MECHANICAL
CORNER JOINT BLOCK



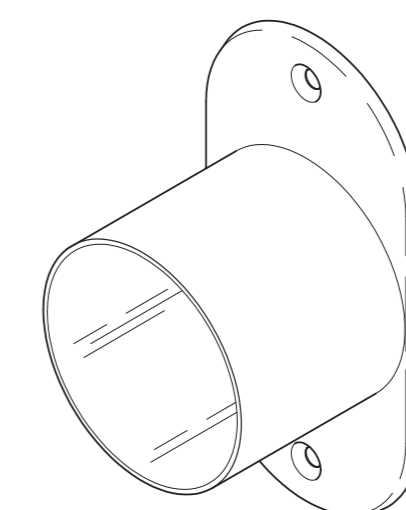
FM001
BRICK TIE



FM002
BRICK TIE



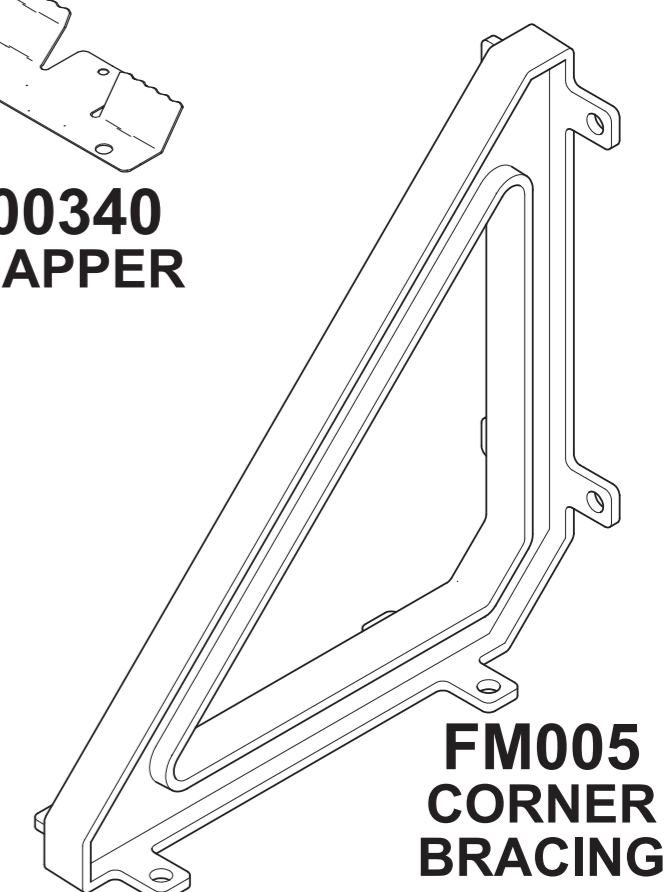
F050
HEAD
BRACING
TUBE



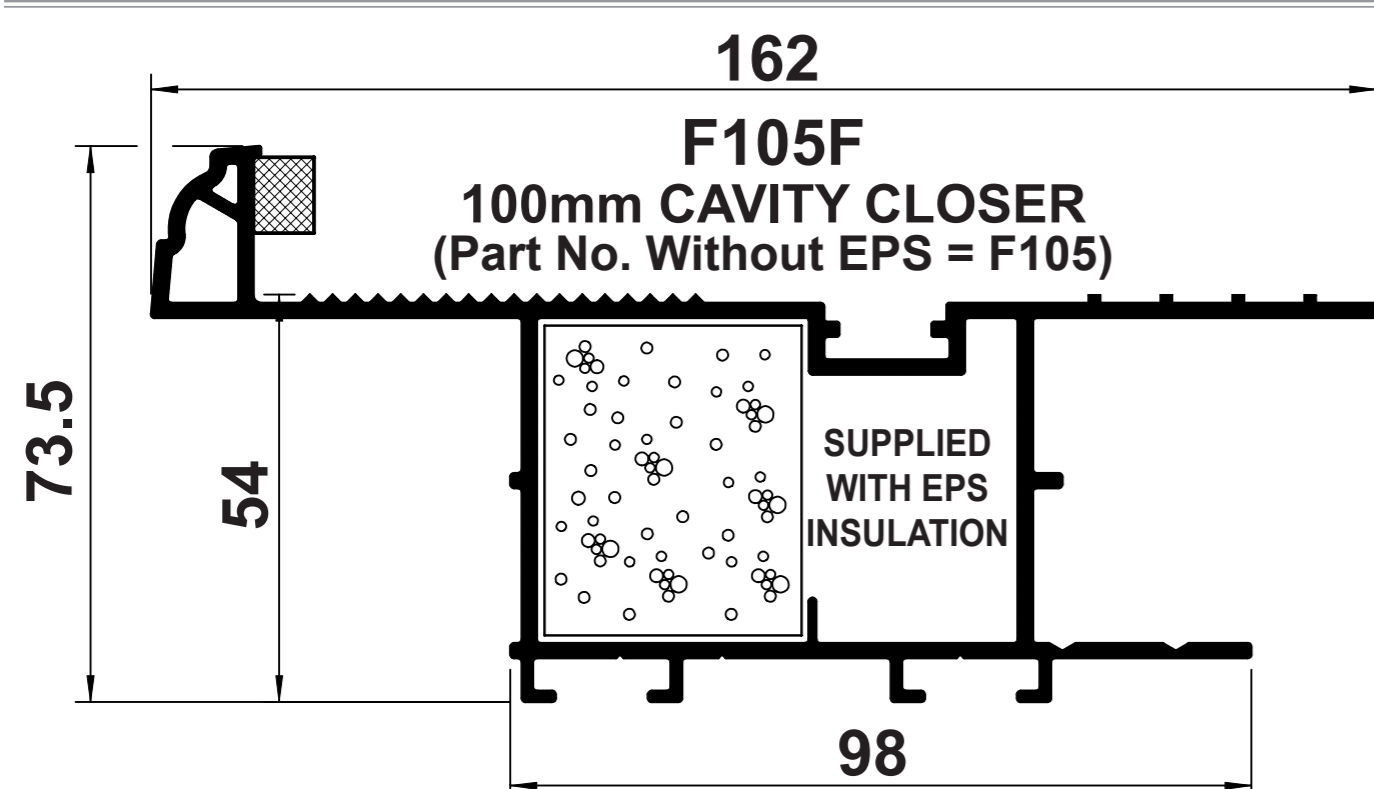
FM050
HEAD BRACING
CONNECTOR



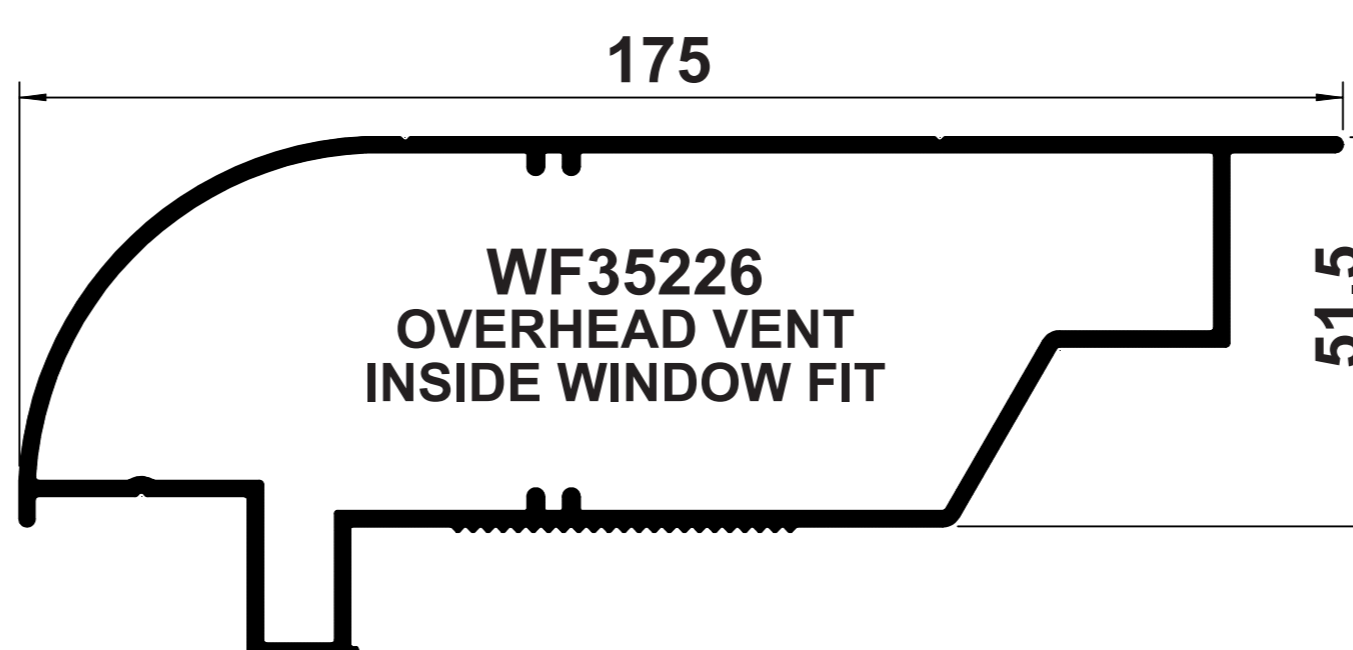
900340
SNAPPER



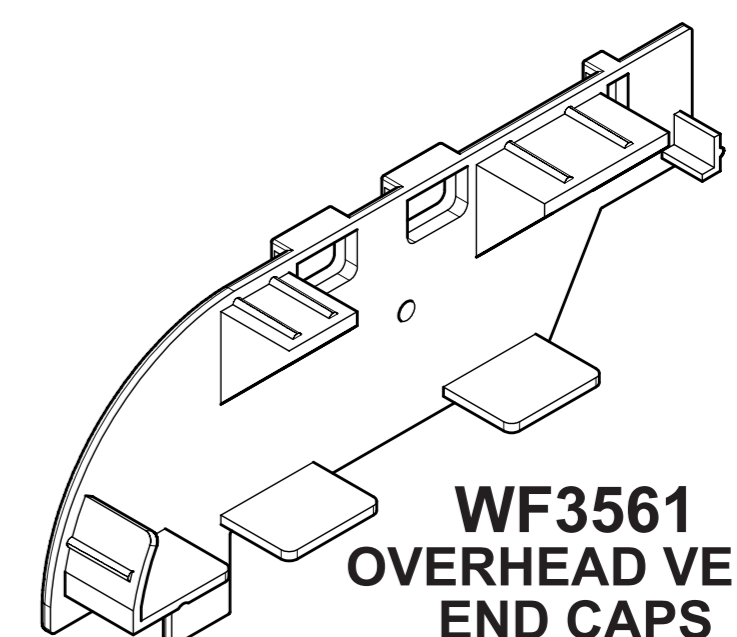
FM005
CORNER
BRACING



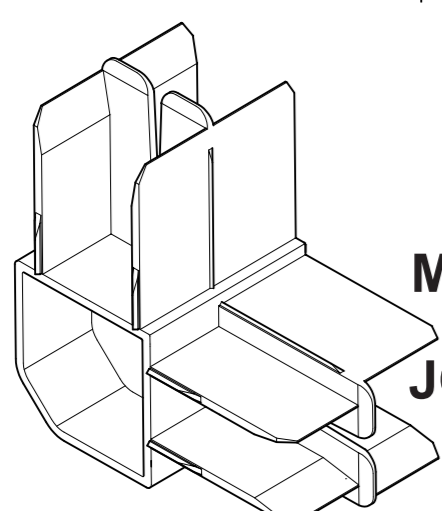
F105F
100mm CAVITY CLOSER
(Part No. Without EPS = F105)



WF35226
OVERHEAD VENT
INSIDE WINDOW FIT



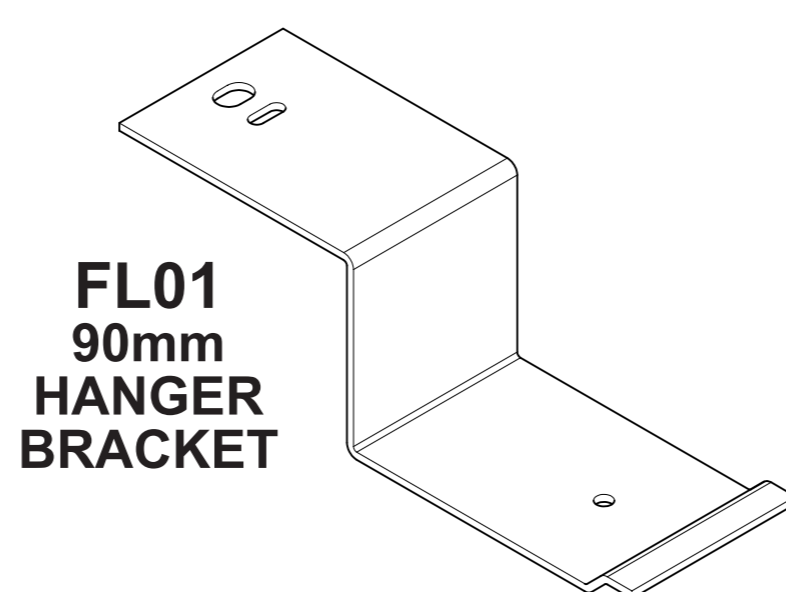
WF3561
OVERHEAD VENT
END CAPS



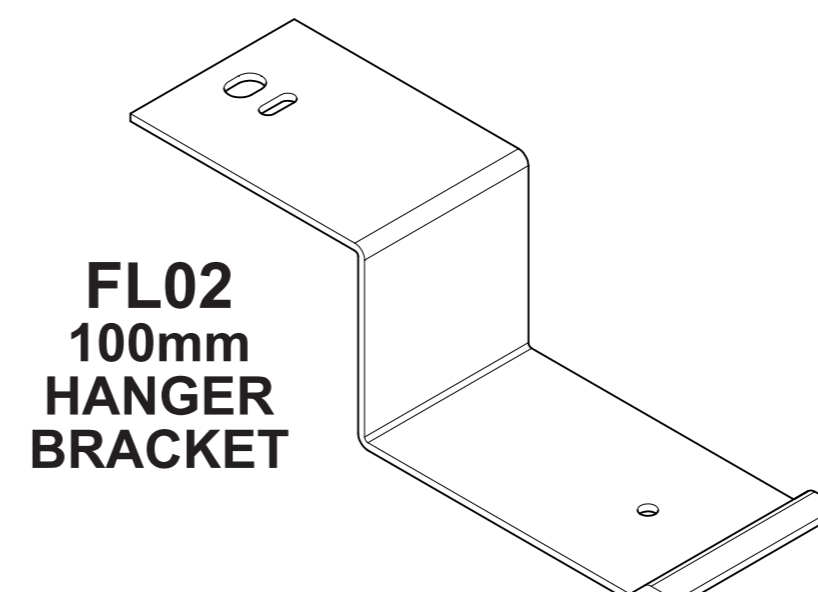
FM105
100mm
MECHANICAL
CORNER
JOINT BLOCK



WF3563
70mm LOCKING
CAM



FL01
90mm
HANGER
BRACKET



FL02
100mm
HANGER
BRACKET

WF3569
8mm x 10mm
FOAM TAPE

EXTRUDED PROFILES
FULL SIZE AT A1